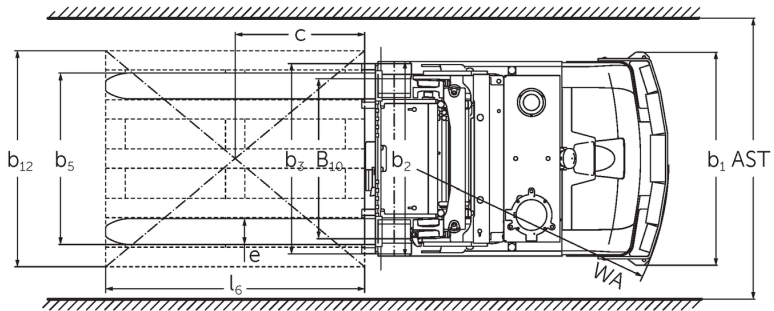
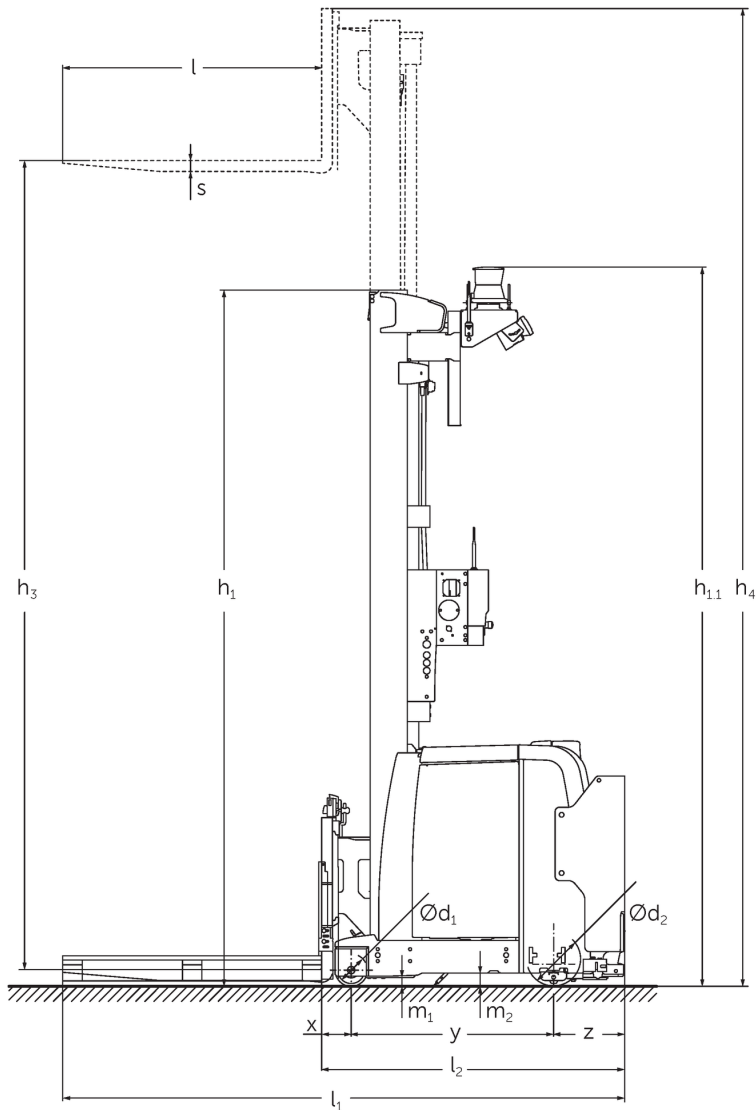




Automated Guided Vehicle System medium/high level order picker EKS 215a

Lift height: 3500-6000 mm / Load capacity: 1500 kg

EKS 215a



EKS 215a

| EKS 215a | Lift (h3) | Retracted mast height (h1) | Extended mast height (h4) |
|-----------------|------------------|-----------------------------------|----------------------------------|
| Duplex mast ZT | 3500 mm | 2695 mm | 4280 mm |
| | 4000 mm | 2945 mm | 4780 mm |
| | 5000 mm | 3445 mm | 5780 mm |
| | 6000 mm | 3945 mm | 6780 mm |

VDI table

Stand-on: 06/2021

| | | | | | |
|---------------------------------|---------|---|--------------------------------|--------------------------|----------------------------|
| Characteristic | 1.1 | Manufacturer (abbreviated description) | | Jungheinrich | |
| | 1.2 | Manufacturer's type designation | | EKS 215a | |
| | 1.3 | Drive | | Electric | |
| | 1.4 | Operation | | Automated Guided Vehicle | |
| | 1.5 | Load capacity/load | Q | kg | 1500 |
| | 1.6 | Load centre distance | c | mm | 600 |
| | 1.8 | Load distance, centre of drive axle to fork | x | mm | 150 |
| | 1.9 | Wheelbase | y | mm | 938 |
| | Weights | 2.1.1 | Service weight (incl. battery) | | kg |
| 2.2 | | Axle load laden front/rear | | kg | 4290 / 490 |
| 2.3 | | Axle load unladen front/rear | | kg | 1480 / 1800 |
| Wheels/ suspension system | 3.1 | Tyres | | | Vulkollan |
| | 3.2 | Tyre size, front | | | Ø 250 x 80 |
| | 3.3 | Tyre size, rear | | | Ø 150 x 135 |
| | 3.5 | Wheels, number front/back (x=driven) | | | 2 / 1x |
| Basic dimensions | 4.2 | Retracted mast height (h1) | h ₁ | mm | 3945 |
| | 4.4 | Lift (h3) | h ₃ | mm | 5000 |
| | 4.5 | Extended mast height (h4) | h ₄ | mm | 5780 |
| | 4.19 | Overall length | l ₁ | mm | 1405 |
| | 4.20 | Length including fork shank | l ₂ | mm | 1405 |
| | 4.21.1 | Overall width | b ₁ | mm | 985 |
| | 4.22 | Fork dimensions | s/e/l | mm | 50 x 120 x 1200 |
| | 4.25 | Width across forks | b ₅ | mm | 810 |
| | 4.31 | Ground clearance laden under mast | m ₁ | mm | 40 |
| Performance data | 5.1 | Travel speed laden/unladen | | km/h | 9 / 7 |
| | 5.2 | Lift speed laden/unladen | | m/s | 0.29 / 0.31 |
| | 5.3 | Lowering speed laden/unladen | | m/s | 0.34 / 0.31 |
| | 5.10 | Service brake | | | Counter-current/generative |
| | 5.11 | Parking brake | | | el. sprung-loaded |
| E-motor/ Electronics | 6.1 | Drive motor, performance S2 60 min | | kW | 3 |
| | 6.2 | Lift motor, performance with S3 | | kW | 9.5 |
| | 6.3 | Battery according to DIN 43531/35/36 | | | 3 PzS 465 |
| | 6.4 | Battery voltage/nominal capacity | | V / Ah | 48 / 465 |
| | 6.5 | Battery weight | | kg | 740 |
| Other | 8.1 | Type of drive control | | | AC drive control system |
| | 10.5 | Steering version | | | electric |
| | 10.7 | Sound level as per EN12053, operator's ear | | dB (A) | 62 |

- This data sheet according to VDI guideline 2198 only states the technical values of the standard truck. Different tyres, other masts, additional equipment etc. may result in different values.

The German production facilities in
Norderstedt, Moosburg and Landsberg
are certified.

ISO 9001
ISO 14001

 **JUNGHEINRICH**