

LI-ION
technology

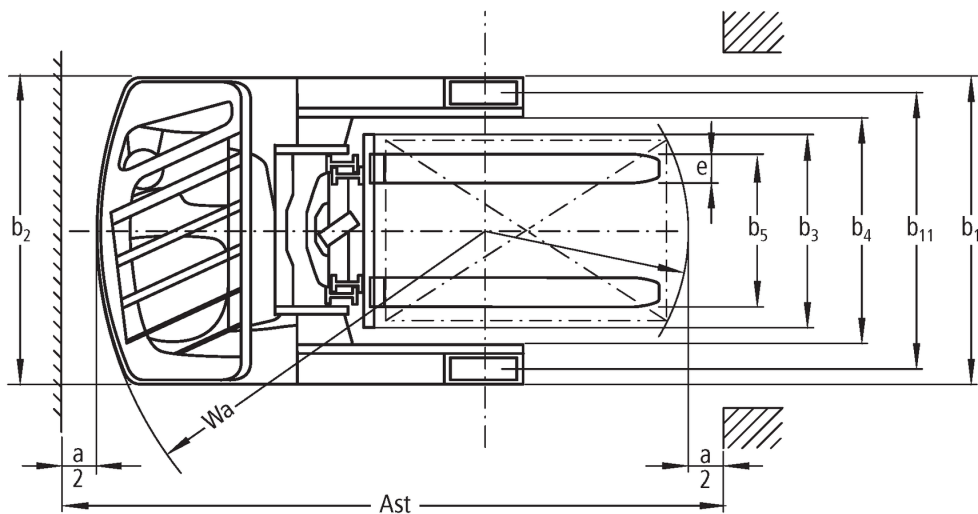
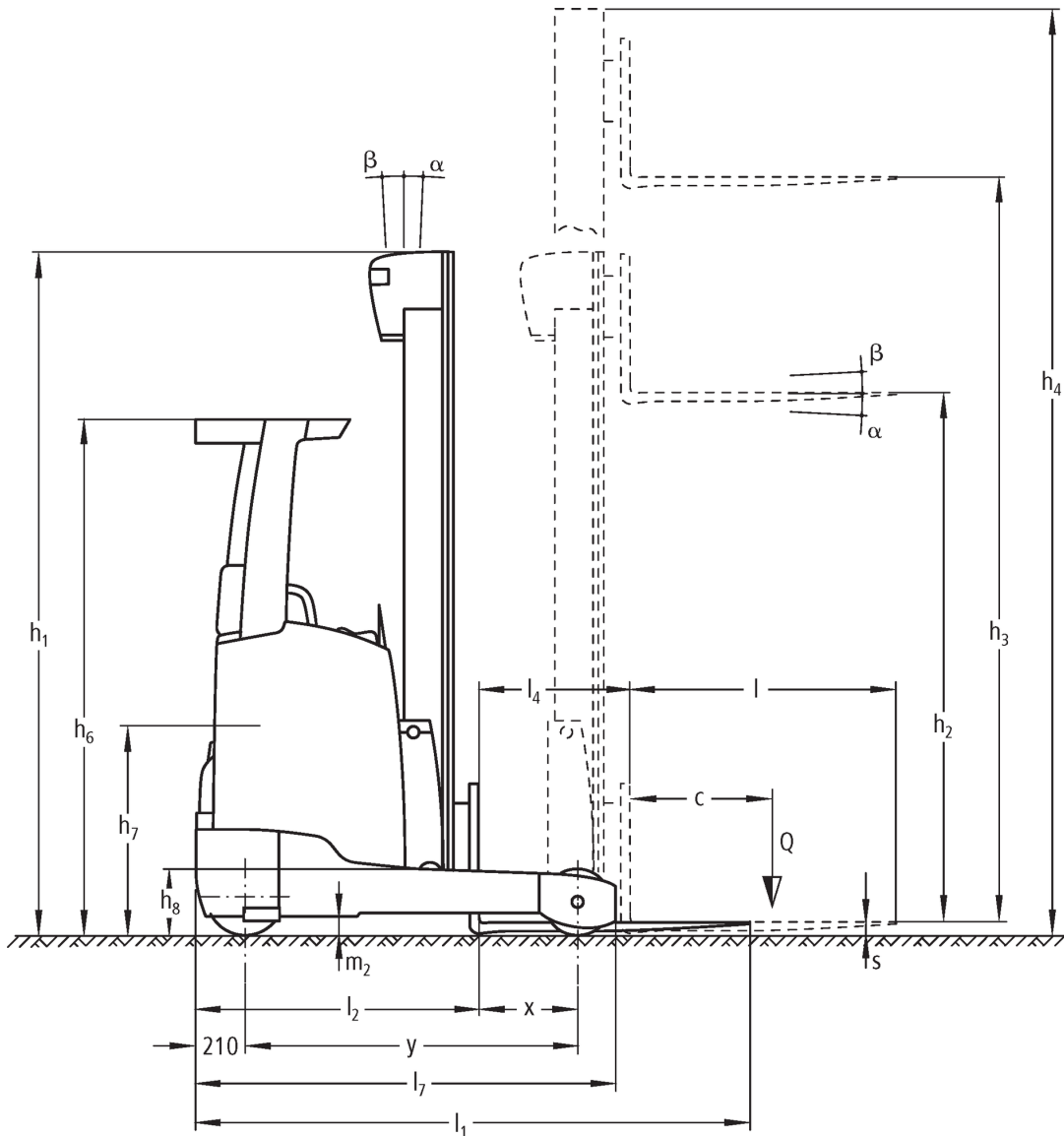


Electric reach truck **ETM/ETV 318-325**

Lift height: 4250-13000 mm / Load capacity: 1800-2500 kg

 JUNGHEINRICH

ETM/ETV 318-325



Reach truck ETM / ETV 214/216 2011

ETM/ETV 318-325

ETV 318, ETV 320, ETM 325, ETV 325	Lift (h3)	Retracted mast height (h1)	Free lift (h2)	Extended mast height (h4)	Forward/backward tilt of mast	Forward/backward tilt of fork carriage
Mast tilt / Triplex mast DZ / cold-formed	4250 mm	2050 mm	1320 mm	4996 mm	1 / 5 °	
	4700 mm	2200 mm	1470 mm	5446 mm	1 / 5 °	
	5000 mm	2300 mm	1570 mm	5746 mm	1 / 5 °	
	5300 mm	2400 mm	1670 mm	6046 mm	1 / 5 °	
	5420 mm	2440 mm	1710 mm	6166 mm	1 / 3 °	
	5600 mm	2500 mm	1770 mm	6346 mm	1 / 3 °	
	5900 mm	2600 mm	1870 mm	6646 mm	0.5 / 2 °	
	6050 mm	2650 mm	1920 mm	6796 mm	0.5 / 2 °	
	6200 mm	2700 mm	1970 mm	6946 mm	0.5 / 2 °	
	6500 mm	2800 mm	2070 mm	7246 mm	0.5 / 2 °	
	6800 mm	2900 mm	2170 mm	7546 mm	0.5 / 2 °	
	6950 mm	2950 mm	2220 mm	7696 mm	0.5 / 1 °	
	7400 mm	3100 mm	2370 mm	8146 mm	0.5 / 1 °	
	8000 mm	3300 mm	2570 mm	8746 mm	0.5 / 1 °	
	8420 mm	3440 mm	2710 mm	9166 mm	0.5 / 1 °	
	8720 mm	3540 mm	2810 mm	9466 mm	0.5 / 1 °	
9110 mm	3670 mm	2940 mm	9856 mm	0.5 / 1 °		
ETV 318, ETV 320, ETV 325	Lift (h3)	Retracted mast height (h1)	Free lift (h2)	Extended mast height (h4)	Forward/backward tilt of mast	Forward/backward tilt of fork carriage
Fork tilt / Triplex mast DZ / cold-formed	6200 mm	2700 mm	1970 mm	6946 mm	2 / 5 °	
	6500 mm	2800 mm	2070 mm	7246 mm	2 / 5 °	
	6800 mm	2900 mm	2170 mm	7546 mm	2 / 5 °	
	6950 mm	2950 mm	2220 mm	7696 mm	2 / 5 °	
	7400 mm	3100 mm	2370 mm	8146 mm	2 / 5 °	
	7700 mm	3200 mm	2470 mm	8446 mm	2 / 5 °	
	8000 mm	3300 mm	2570 mm	8746 mm	2 / 5 °	
	8420 mm	3440 mm	2710 mm	9166 mm	2 / 5 °	
	8720 mm	3540 mm	2810 mm	9466 mm	2 / 5 °	
	9110 mm	3670 mm	2940 mm	9856 mm	2 / 5 °	
	9620 mm	3840 mm	3110 mm	10366 mm	2 / 5 °	
	9950 mm	3950 mm	3220 mm	10696 mm	2 / 5 °	
	10220 mm	4100 mm	3370 mm	10966 mm	2 / 5 °	
	10520 mm	4200 mm	3470 mm	11266 mm	2 / 5 °	
	10700 mm	4260 mm	3530 mm	11446 mm	2 / 5 °	
	10880 mm	4320 mm	3590 mm	11626 mm	2 / 5 °	
11120 mm	4400 mm	3670 mm	11866 mm	2 / 5 °		
11510 mm	4530 mm	3800 mm	12256 mm	2 / 5 °		
ETV 320, ETV 325	Lift (h3)	Retracted mast height (h1)	Free lift (h2)	Extended mast height (h4)	Forward/backward tilt of mast	Forward/backward tilt of fork carriage
Fork tilt / Triplex mast DZ / cold-formed	12020 mm	4700 mm	3970 mm	12766 mm	2 / 5 °	
	12530 mm	4870 mm	4140 mm	13276 mm	2 / 5 °	
	12830 mm	4970 mm	4240 mm	13576 mm	2 / 5 °	
	13000 mm	5026 mm	4296 mm	13746 mm	2 / 5 °	

VDI table

Stand-on: 07/2021

Characteristic	1.1	Manufacturer (abbreviated description)	Jungheinrich				
	1.2	Manufacturer's type designation	ETV 318	ETV 320	ETM 325	ETV 325	
	1.3	Drive	Electric				
	1.4	Operation	Sideways-seated				
	1.5	Load capacity/load	Q kg	1800	2000	2500	
	1.6	Load centre distance	c mm	600			
	1.8	Load distance, centre of drive axle to fork	x mm	364	412	389	487
	1.8.1	Load distance, centre of drive axle to fork, mast extended	mm	205	230		
	1.9	Wheelbase	y mm	1460	1518	1673	
Weights	2.1.1	Service weight (incl. battery)	kg	3522	3650	3895	3700
	2.3	Axle load unladen front/rear	kg	2074 / 1448	2163 / 1487	2274 / 1621	2264 / 1436
	2.4	Axle load fork forward laden front/rear	kg	446 / 4876	558 / 5092	366 / 6029	602 / 5598
	2.5	Axle load fork back laden front/rear	kg	1805 / 3517	1953 / 3397	2057 / 4338	2032 / 4168
Wheels/suspension system	3.1	Tyres	PU				
	3.2	Tyre size, front	Ø 343 x 114		Ø 343 x 140		
	3.3	Tyre size, rear	Ø 285 x 100	Ø 355 x 106	Ø 355 x 135		
	3.5	Wheels, number front/back (x=driven)	1x / 2				
	3.7	Tread width, rear	b ₁₁ mm	1136	1155	1034	1184
Basic dimensions	4.2	Retracted mast height (h1)	h ₁ mm	2400			
	4.3	Free lift (h2)	h ₂ mm	1670			
	4.4	Lift (h3)	h ₃ mm	5300			
	4.5	Extended mast height (h4)	h ₄ mm	6046			
	4.7	Height of overhead guard (cab)	h ₆ mm	2190			
	4.8	Seat height/stand height	h ₇ mm	1057			
	4.10	Height of support arms	h ₈ mm	285	355		
	4.19	Overall length	l ₁ mm	2418	2459	2547	
	4.19.4	Length including fork length	l ₁ mm	2456	2466	2644	2546
	4.20	Length including fork shank	l ₂ mm	1306	1316	1494	1396
	4.21.1	Overall width	b ₁ mm	1270	1290	1198	1348
	4.21.2	Overall width	b ₂ mm	1270		1120	1270
	4.22	Fork dimensions	s/ e/l mm	40 x 120 x 1150	50 x 140 x 1150		
	4.23	Fork carriage connection class		2B			
	4.24	Fork carriage width	b ₃ mm	830			
	4.26	Width between support arms/loading areas	b ₄ mm	940		790	940
	4.28	Reach distance	mm	569	624	703	736
	4.32	Ground clearance centre of wheelbase	m ₂ mm	80	95		
	4.34	Aisle width (pallet 1000x1200 sideways)	Ast mm	2737	2750	2921	2854
	4.34.1	Aisle width (pallet 800x1200 length)	Ast mm	2790	2794	2969	2883
4.35	Turning radius	W _a mm	1663	1710	1865		
4.37	Length over the support arms	L ₇ mm	1842	1920	2075		
Performance data	5.1	Travel speed laden/unladen (Efficiency drivePLUS)	km/h	11 / 11 14 / 14		0 / 0 14 / 14	
	5.2	Lift speed laden/unladen (Efficiency liftPLUS)	m/s	0.32 / 0.64 0.38 / 0.64		0 / 0 0.35 / 0.64	
	5.3	Lowering speed laden/unladen (Efficiency liftPLUS)	m/s	0.55 / 0.55 0.55 / 0.55		0 / 0 0.55 / 0.55	
	5.4	Reach speed laden/unladen (Efficiency liftPLUS)	m/s	0.18 / 0.18 0.2 / 0.2		0 / 0 0.2 / 0.2	
	5.7	Gradeability laden/unladen (Efficiency drivePLUS)	%	7 / 11 7 / 11		0 / 0 7 / 11	
	5.8	Max. gradeability laden/unladen (Efficiency drivePLUS)	%	9 / 13 9 / 13	10 / 15 10 / 15	0 / 0 10 / 15	

	5.9	Acceleration time laden/unladen (Efficiency drivePLUS)	s	5.4 / 5 5.2 / 4.7	5.6 / 5 5.3 / 4.7	0 / 0 5.4 / 4.7
	5.10	Service brake		electric		
E - motor/Electronics	6.1	Drive motor, performance S2 60 min (Efficiency drivePLUS)	kW	6 8.5		0 8.5
	6.2	Lift motor, performance with S3 (Efficiency liftPLUS)	kW	13.3 15.5		0 15.5
	6.3	Battery according to DIN 43531/35/36		DIN 43531 C		DIN 43531 B DIN 43531 C
	6.4	Battery voltage/nominal capacity	V / Ah	48 / 620		48 / 775 48 / 620
	6.5	Battery weight	kg	1005		1210 1005
	6.6.1	Energy consumption according to EN cycle (Efficiency PLUS)	kWh/h	3.77 3.73	3.89 4.57	0 4.57
	6.6.2	CO2 equivalent as per EN 16796 (Efficiency PLUS)	kg/h	2.1 2	2.1 2.5	-
	6.7	Throughput (Efficiency PLUS)	t/h	60.85 73.39	67.48 76.51	0 95.14
	6.8.1	Energy consumption with max. throughput (Efficiency PLUS)	kWh/h	3.25 4.66	3.54 4.64	0 4.57
Other	8.1	Type of drive control		Mosfet/AC		
	10.1	Operating pressure for attachment	bar	150		
	10.2	Oil flow for attachments	l/min	20		
	10.7	Sound level as per EN12053, operator's ear	dB (A)	68		
- This data sheet according to VDI guideline 2198 only states the technical values of the standard truck. Different tyres, other masts, additional equipment etc. may result in different values.						

Efficiency: Werte Standardpaket | PLUS: Werte Leistungspaket

- VDI no. 1.8: the battery size and the mast type influence the load distance, centre of drive axle to fork x
- VDI no. 2.1.1: the battery size and the mast version influence the service weight and the axle loads
- VDI no. 2.3: the battery size and the mast version influence the service weight and the axle loads
- VDI no. 2.4: the battery size and the mast version influence the service weight and the axle loads
- VDI no. 2.5: the battery size and the mast version influence the service weight and the axle loads
- VDI no. 4.1: the mast version determines the tilt values
- VDI no. 4.10: the height of the support arms is enlarged by 30 mm with a load support arm cover
- VDI no. 4.19: the battery size, the mast type and the fork length influence the overall length l1
- VDI no. 4.20: the battery size and the mast type influence the length including fork shank l2
- VDI no. 4.28: the battery size and the mast type influence the reach distance l4
- VDI no. 4.34.1: the battery size and the mast type influence the aisle widths
- VDI no. 4.34.2: the battery size and the mast type influence the aisle widths
- VDI no. 6.6.1: PLUS refers to the drive&liftPLUS performance package
- VDI no. 6.6.2: PLUS refers to the drive&liftPLUS performance package
- VDI no. 6.7: PLUS refers to the drive&liftPLUS performance package
- VDI no. 6.8.1: PLUS refers to the drive&liftPLUS performance package

The German production facilities in
Norderstedt, Moosburg and Landsberg
are certified.

ISO 9001
ISO 14001

Jungheinrich fork lift trucks meet
European safety requirements.



 **JUNGHEINRICH**

The Jungheinrich logo, featuring a red upward-pointing arrow above the word 'JUNGHEINRICH' in a bold, black, sans-serif font.